

FSM4010



Fire Suppression Messenger

(Family – Fire)

Product Description:

Fire suppression messenger system is specially designed for the purpose of monitoring the pressure switch of the tube based or clean agent fire suppression system. It provides SMS and voice call in case of alarm raised due to low cylinder pressure. It can send voice calls and SMS to 10 different mobile numbers, which is stored in the unit by SMS command configuration. Voice calls are pre-recorded and can be changed by sending voice recording SMS command. Text messages are also editable.



Applications:

- Hotels
- Factories
- Offices

Product Features:

- 4 inputs (programmable NO or NC)
- Operating voltage - 9 to 32 V DC
- 4 Voice messages (separate for each input)
- 4 SMS messages (separate for each input)
- 10 telephone numbers for voice message reporting
- 10 separate telephone numbers for SMS reporting
- 16 seconds voice message recording facility for each input
- 900 MHz, 1800 MHz, 1900 MHz band support
- Signal strength indication
- All inputs and outputs status indication



Vighnaharta™

Vighnaharta Technologies Pvt. Ltd.
(formally known as Realty Automation and Security Systems Pvt. Ltd)
www.vigh www.Vighnaharta.in

Automation | Safety | Security | Surveillance

Fire Suppression Messenger

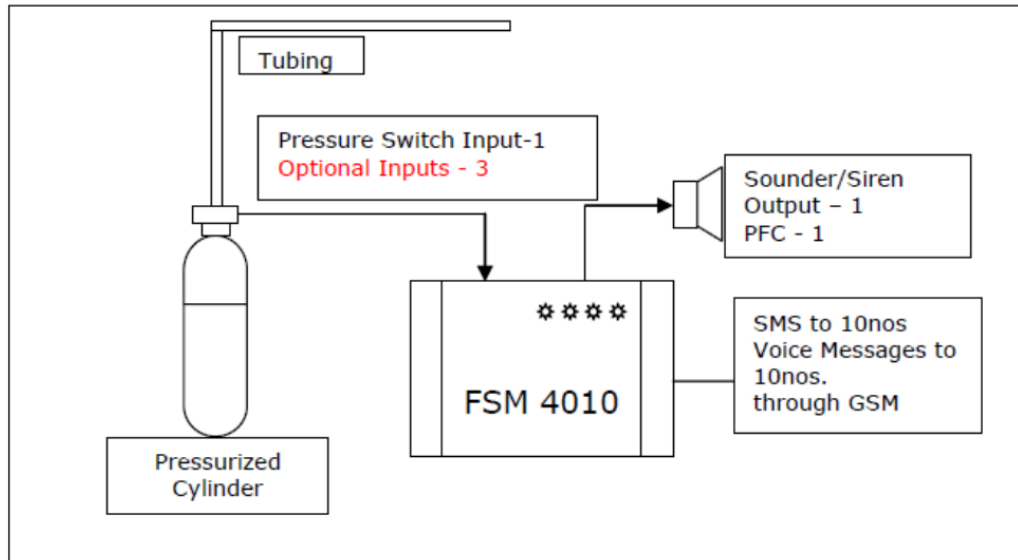
(Family – Fire)

Technical Specifications:

General specifications	
Operating temperature	0 to 50° C
Humidity	0 to 90 % Rh
Electrical specifications	
Power supply	230 V AC mains
LED indications and output	
Indication	LED indication for: <ul style="list-style-type: none"> • Power on • Input 1 • PFC relay output 1 • PFC relay output 2 • 3 LEDs for GSM range
Output	<ul style="list-style-type: none"> • PFC relay output 1 (active for alarm condition) • PFC relay output 2 (user controlled: output is enabled or disabled by SMS) • 12 V, 0.5 A output for driving siren/ sounder (optional)

Application diagram

Typical Application



Datasheet version with date (V.2 Oct 2020)