

TSFC 12-2



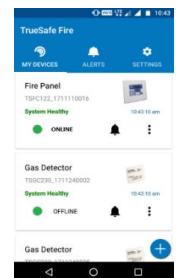
Conventional Fire Alarm with Cloud Connectivity

(Family-Fire)

Product Description:

TSFC-12-2 is a two-zone fire alarm panel with cloud connectivity. This is not like an ordinary panel; it is India's first IoT based conventional fire alarm panel. This panel relates to cloud through Wi-Fi (internet) and stores all fire and fault information on it. We are providing mobile app along with our system. It is used for monitoring fire panel status on any mobile from anywhere.

It is basically Wi-Fi based conventional system to protect residential as well as commercial premises. It has a potential free relay output (optional) as well as one number of siren output for fire alarm notification. Other LED indications for sensors are used to indicate open, short, bypass status for user.



Application:

- Small offices
- Shops
- Small hospitals

USPs:

- Receive fire & fault alerts on your mobile app
- Cloud connectivity through Wi-Fi
- Saves you on battery cost (single battery backup)
- Attractive flush mount plastic enclosure to match interiors.



Vignaharta™

Vignaharta Technologies Pvt. Ltd.
(formally known as Realty Automation and Security Systems Pvt. Ltd.)
www.viqh www.Vignaharta.in

Automation | Safety | Security | Surveillance

TSFC 12-2



Conventional Fire Alarm with Cloud Connectivity

(Family-Fire)

Technical Specifications:

General specifications	
Operating temperature	0 °C to + 50 °C
Storage temperature	0° C to + 66° C
Humidity	5 to 90% Rh
Colour	White
Enclosures	Plastic enclosure (flush mount)
Electrical specifications	
Power supply	230 VAC/50 Hz
Quiescent current	Approx. 100 mA
Charging voltage	13.5 V DC
Charging current rating	200 mA
Current for NACs	500 mA
Battery backup	Up to 8 hours
Class wiring	Class B type wiring
End-of-Line resistor	820 Ohm
Mobile app version	Android (5.1) and above, iOS
Power consumption	Standby 1.5 W, Alarm up to 4 W
IDC's (zones)	Two
Devices per Zone	20 detectors
Mechanical specifications	
Weight	Approx. 1.2 kg (without packing)
Dimensions	237 x 217 x 42 mm (L x H x W)
IP rating	IP30
Display	16 x 2 LCD display
Cable entry	04 x ø 19 mm knockout in top of the cabinet
LED indications and output	
LED colour	<ul style="list-style-type: none">• Dual fire LED indication• Zone fault, siren fault• Battery cut /No battery
Output	<ul style="list-style-type: none">• Wi-Fi connectivity• Buzzer• 3 PFC relay output
Warranty	
	One year on manufacturing defects only



Vighnaharta™

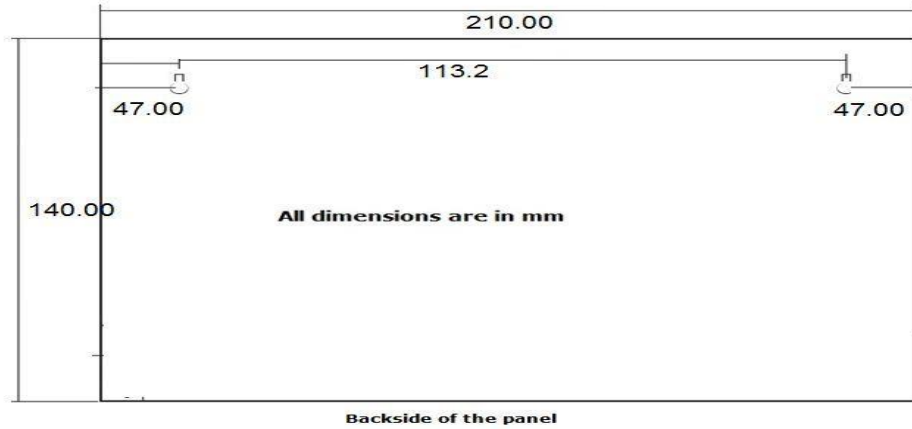
Vighnaharta Technologies Pvt. Ltd.
(formerly known as Realty Automation and Security Systems Pvt. Ltd)
www.vigh www.Vighnaharta.in

Automation | Safety | Security | Surveillance

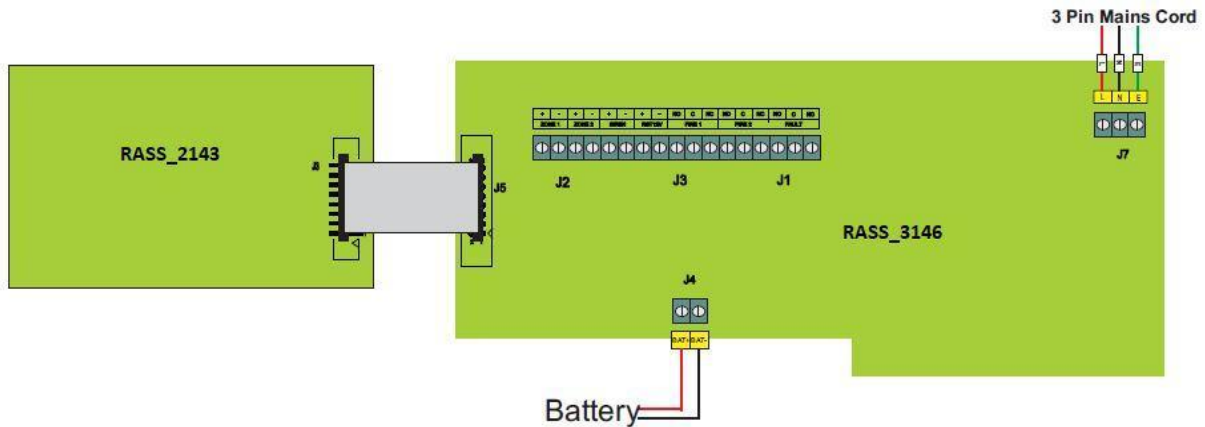
Conventional Fire Alarm with Cloud Connectivity

(Family-Fire)

Mounting Details:



Wiring Diagram:



Models and variants	
	TSFC12-2 TSFC24-2 TSFC24-4
Abbreviations	
TSFC12-2	TS-TrueSafe, FC-Fire Cloud , 12-Operating voltage, 2- Two zones

Datasheet version with date (V.2 Oct. 2020)