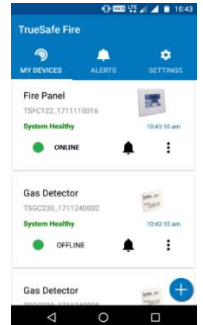


Conventional Fire Alarm with Cloud Connectivity

Product Description

TSFC-12-2 is a two zone Fire Alarm Panel with cloud connectivity. This is not like an ordinary panel, it is India's first IoT based Conventional Fire Alarm Panel. This panel is connected with Cloud through Wi-Fi (internet) and stores all fire and fault information on it. We are providing Mobile App along with our system. It is used for monitoring fire panel status on any mobile from anywhere.

It is basically Wi-Fi based conventional system to protect residential as well as commercial premises. It has a potential free relay output (optional) as well as one number of siren output for Fire alarm notification. Other LED indications for sensors are used to indicate Open, Short, Bypass status for user.



Application

- Small Offices
- Shops
- Small Hospitals

Salient Features or USP's

- Receive Fire & Fault alerts on your mobile app
- Cloud Connectivity through Wi-Fi
- Saves you on battery cost (Single battery backup)
- Attractive Flush mount Plastic enclosure to match interiors.

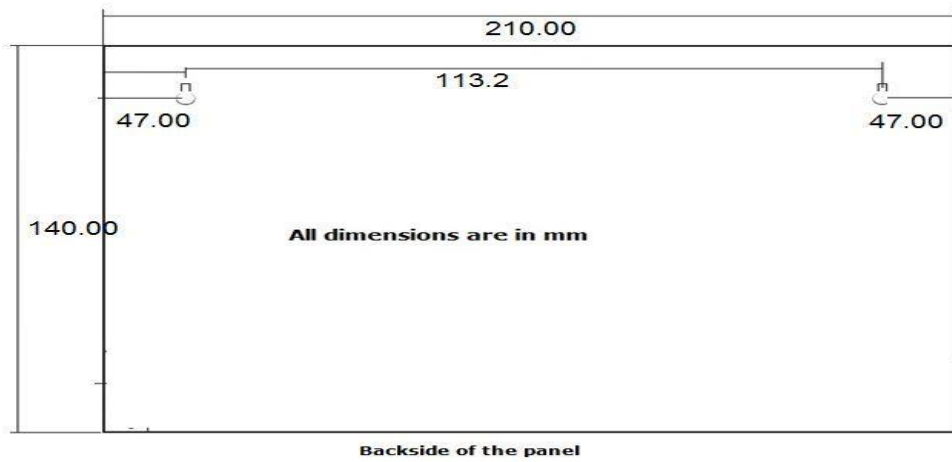
Conventional Fire Alarm with Cloud Connectivity

Specifications

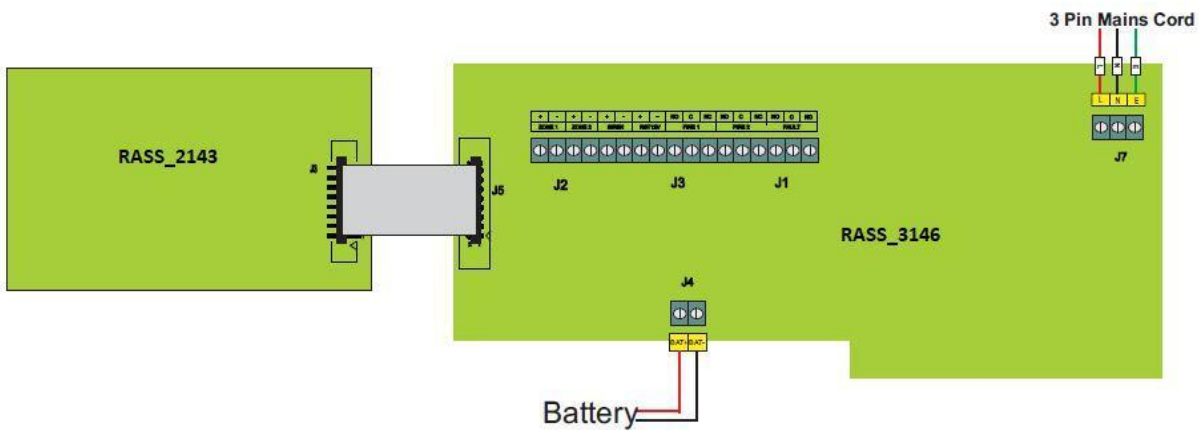
General Specifications	
Operating Temperature	0 °C to 50 °C
Storage Temperature	0°C to +60°C
Humidity	5 to 90% Rh
Colour	White
Enclosures	Plastic Enclosure (Flush Mount)
Electrical Specifications	
Power Supply	230 VAC/50Hz
Quiescent current	Approx. 100mA
Charging Voltage	13.5VDC
Charging Current Rating	200mA
Current for NACs	500mA
Battery backup	Up to 8 hours
Class Wiring	Class B Type Wiring
End-Of-Line Resistor	820 Ohm
Mobile App Version	Android (5.1) and above, iOS
Power Consumption	Stdby 1.5W, Alarm up to 4W
IDC's(Zones)	Two
Devices per Zone	20 detectors
Mechanical specifications	
Weight	Approx. 1.2Kg (Without Packing)
Dimensions	237L x 217H x 42W
IP Rating	IP30
Display	16*2 LCD display
Cable Entry	04 x ø19mm Knockout in top of the cabinet
LED Indications and Output	
LED Colour	<ul style="list-style-type: none"> · Dual Fire LED Indication · Zone Fault, Siren Fault · Battery Cut/No battery
Output	<ul style="list-style-type: none"> · Wi-Fi Connectivity · Buzzer · 3 PFC Relay Output
Warranty	One Year on Manufacturing defects only

Conventional Fire Alarm with Cloud Connectivity

Mounting Details



Wiring Diagram



Models and Variants

Vighnaharta Technologies Pvt. Ltd.



Conventional Fire Alarm with Cloud Connectivity

	TSFC12-2, TSFC24-2 and TSFC24-4
Abbreviations	
TSFC12-2	TS-TrueSafe, FC-Fire Cloud , 12-Operating voltage, 2- Two zones

Datasheet Version with Date (08/08/2020)